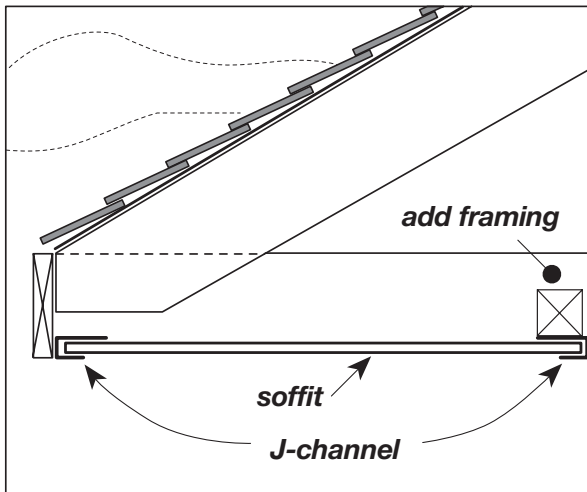
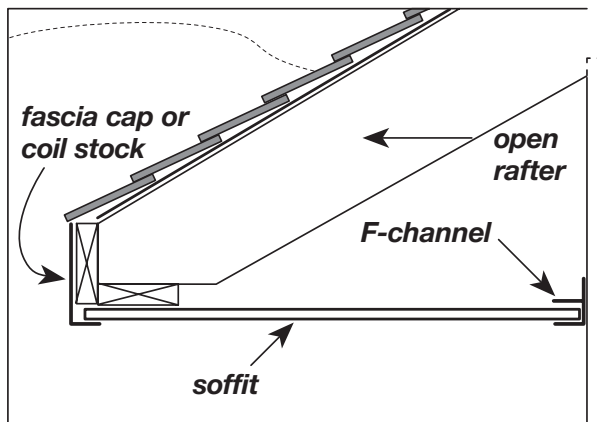


These instructions describe and illustrate the steps involved in installing CertainTeed siding and trim. Their purpose is to provide detailed information and how-to tips that will simplify the installation process. CertainTeed shall not accept any liability or responsibility under its written warranty for failure caused by application that does not meet our minimum requirements for proper installation. These requirements are outlined throughout the *CertainTeed Installation Guide (CTS205)*. Any deviations from these requirements should be approved in writing by CertainTeed Corporation.

Installation over open eaves

In most situations, 3-1/3" Solid and InvisiVent Soffit should be installed like our standard soffit products. However, when it is installed over open eaves, follow these installation techniques.



Install receiving channels

There are two ways to install receiving channels for soffit. The best approach is to select a method that works most effectively with the construction techniques used to create the eave. Examine the illustrations, and find the one that most closely resembles the construction methods on your particular project.

Use either 3/4" J-channel or 3/4" F-channel, or make receiving channels using coil stock.

Install the receiving channels following the details shown in the illustrations.

Nail the channels every 12" to 16", positioning the nail in the center of the slot. Do not nail tightly.

NOTE: If you are concerned about excessive insect infiltration with the InvisiVent Soffit, cover the openings with corrosion-resistant mesh or other screening before installing the soffit.

Install soffit

Nail the soffit every 16" or 24", depending upon local building codes and stud spacing. 3-1/3" soffit will span up to 24" without additional nailing strips.

Installation over existing soffit

When installing InvisiVent Ventilated Soffit over an existing solid wood soffit, you must cut openings into the existing soffit to provide adequate airflow through the InvisiVent Soffit. The goal is to have at least 9 square inches of net free air per lineal foot of soffit. Removing a center portion of the existing soffit will provide the desired airflow.

Using a saw, cut along the length of the existing soffit. Leave 2" to 3" from both the wall and the fascia so that you will have enough wood surface to securely fasten the soffit.

Remove the center portion of the existing soffit.

Install the soffit as described above.

If you have any questions about installing this product, please call us at 800-233-8990.